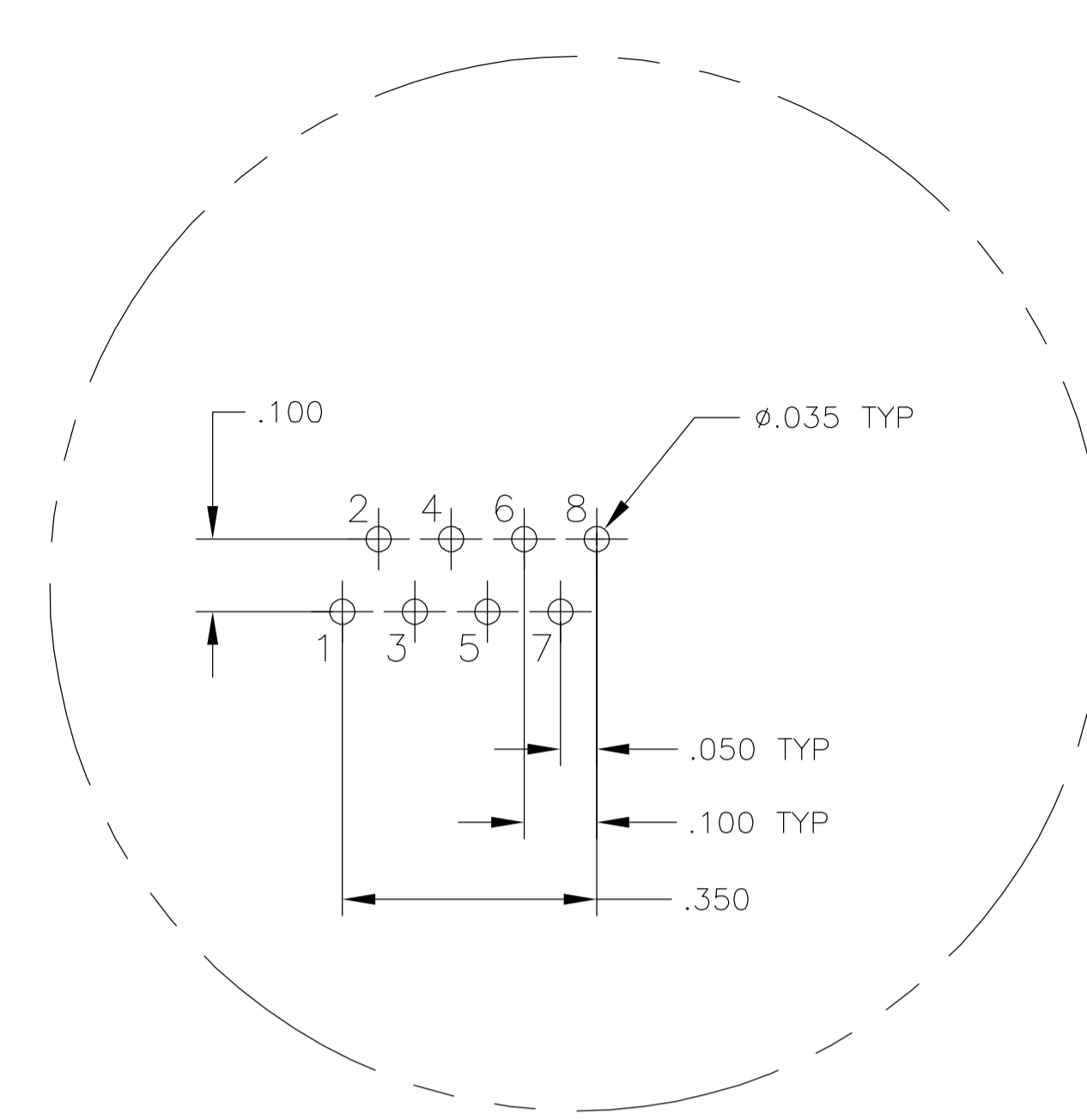
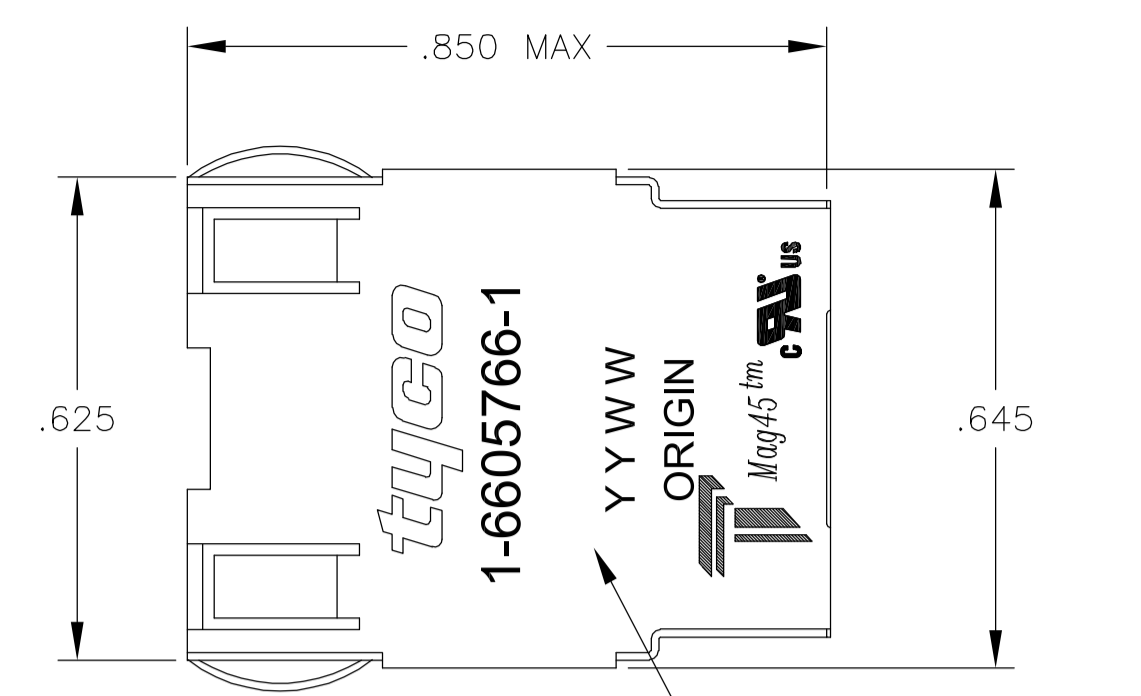
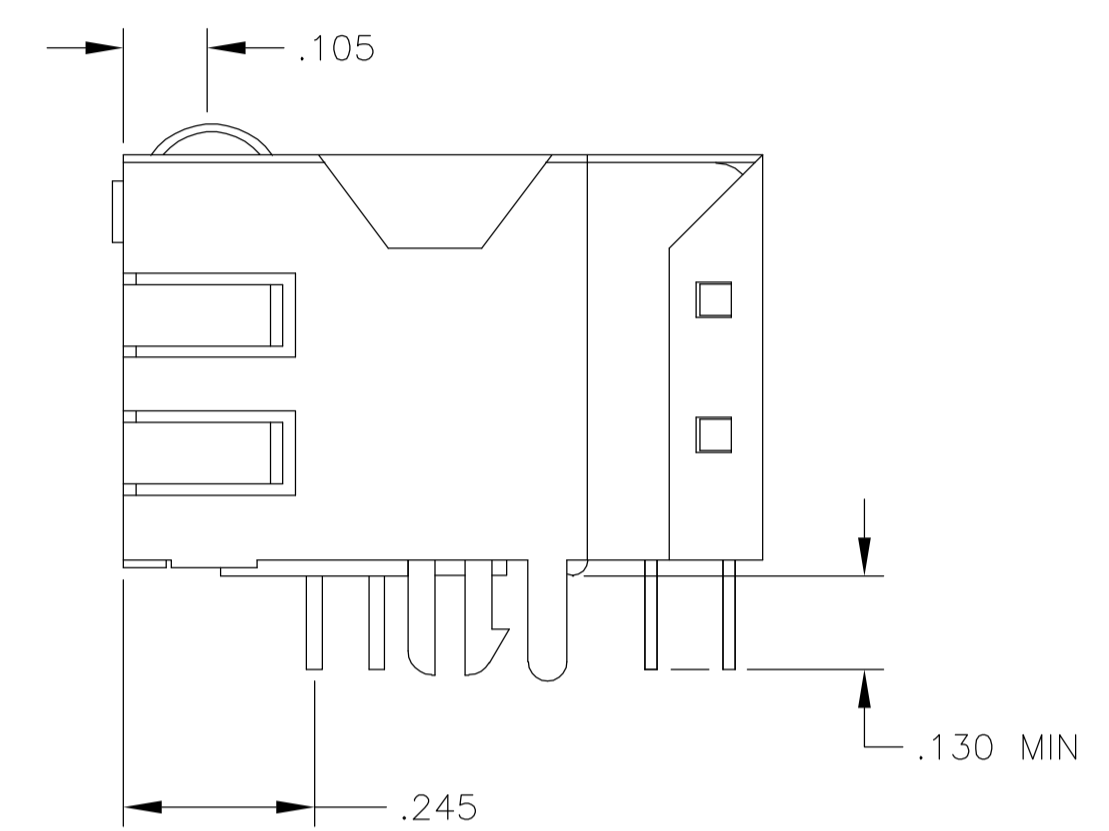
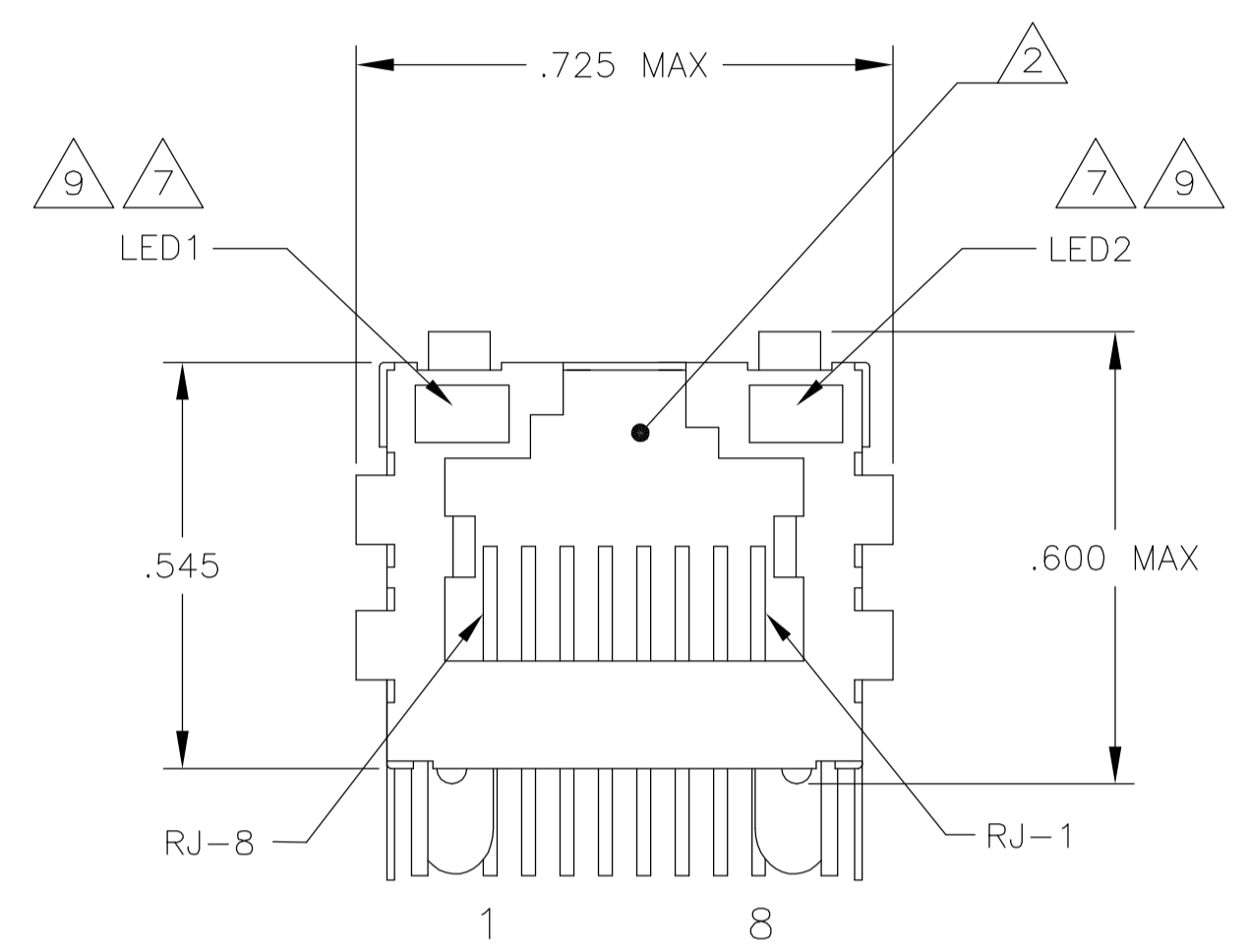


LOC		DIST		REVISIONS			
P	LYR	DATE	DESCRIPTION	DATE	OWN	APVD	
A	REV PER EC	OS13-0644-04		02MAR2005	LV	DF	

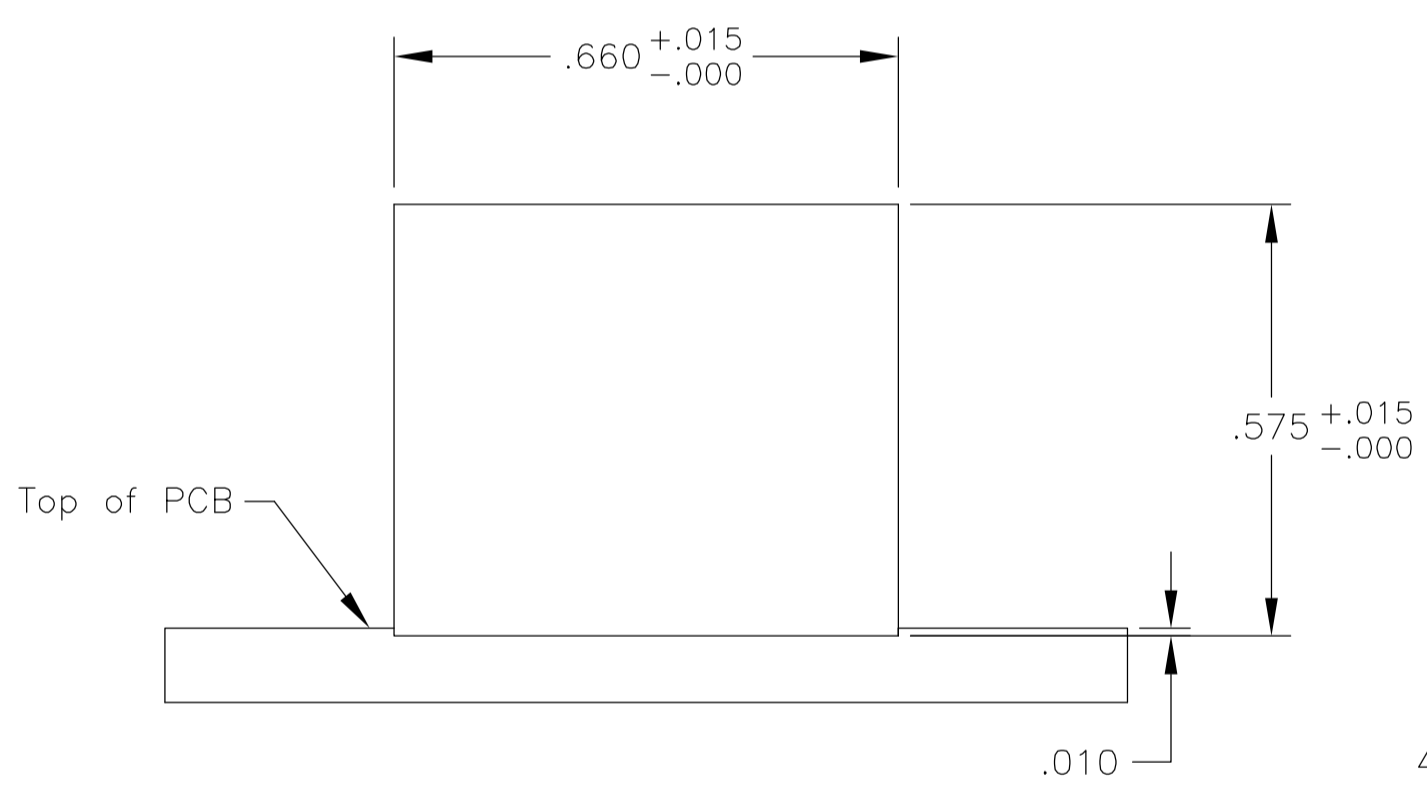
MECHANICAL:



Pin Designations

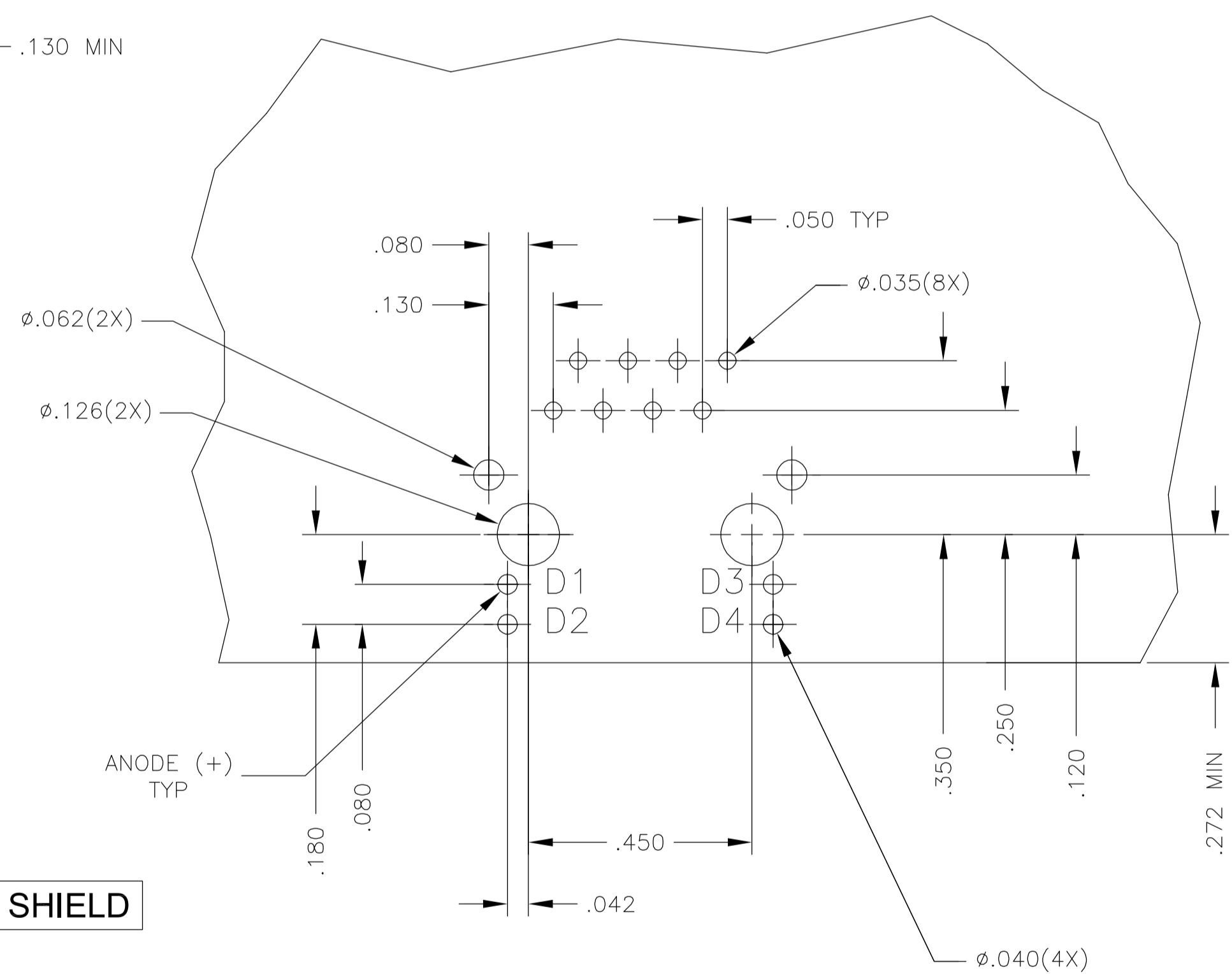
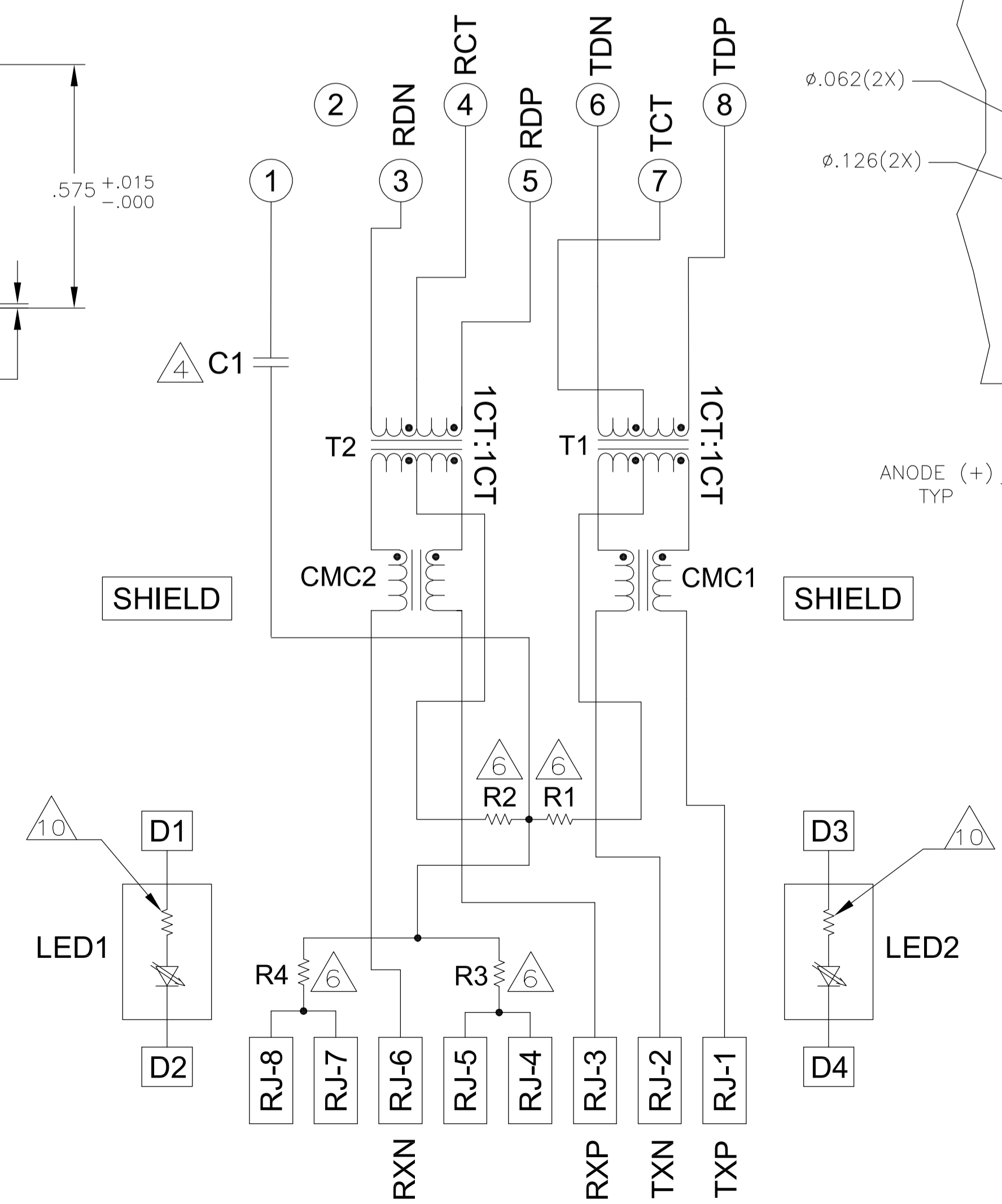


- MATERIALS:**
- HOUSING - THERMOPLASTIC PET POLYESTER FLAMMABILITY RATING UL 94V-0.
 - SHIELD - .010" THICK, C26800 BRASS PREPLATED WITH 30μINCH MIN SEMI-BRIGHT NICKEL, SOLDER TABS POST DIPPED WITH 100μINCH MIN SAC SOLDER.
 - MOD JACK CONTACTS - 0.0157" x 0.018" PHOSPHOR BRONZE, 50μINCH MIN OVERALL NICKEL UNDERPLATE, WITH SELECT 50μINCH MIN HARD GOLD FINISH PLATE. SOLDER TAILS WITH 100μINCH MIN MATTE TIN AND/OR SAC SOLDER DIP.
 - LIGHT EMITTING DIODE(LED) - DIFFUSED EPOXY LENS, .020" x .020" CARBON STEEL WIREFRAME LEADS PRE-PLATED WITH 80μINCH SILVER OVER 40μINCH NICKEL UNDERPLATE OVER 40μINCH COPPER UNDERPLATE, POST-PLATED WITH 100μINCH MIN MATTE TIN AND/OR SAC SOLDER DIP OR PURE TIN SOLDER DIP.
- RJ45 JACK CAVITY CONFORMS TO FCC RULES AND REGULATIONS PART 68, SUB PART F.**
- MAGNETICS**
- IMPEDANCE: 100 OHMS
 - TURNS RATIO (CHIP:CABLE): TX = 1:1, RX = 1:1
 - OPEN CIRCUIT INDUCTANCE (OCL): 350μH MIN @100kHz, 0.1VRMS, 8mADC BIAS FROM 0°C TO 70°C, TX AND RX
 - PERFORMANCE @ 25°C:
 - INSERTION LOSS (IL): 1.1dB MAX FROM 0.5MHz TO 100MHz
 - RETURN LOSS (RL): 18dB MIN FROM 0.5MHz TO 30MHz
 - 18-20LOG(f/30)dB MIN FROM 30.1MHz TO 60MHz
 - 12dB MIN FROM 60.1MHz TO 80MHz
 - CROSSTALK ATTENUATION: 35dB MIN FROM 0.5MHz TO 40MHz
 - 33-20*LOG(f/50)dB MIN FROM 40.1MHz TO 100MHz
 - COMMON MODE REJECTION RATIO (CMRR): 30dB MIN FROM 0.5MHz TO 100MHz
 - ISOLATION VOLTAGE: COMPLIES WITH IEEE802.3 2002, PARA 23.5.1.1, ITEM a or b.
- C1 IS 1000 pF, 2KV DECOUPLING CAPACITOR. IF NOT CAPACITOR. TRACE IS CONTINUOUS**
- 5. OPERATING TEMPERATURE: FROM 0° TO +70°C.**
- R1-R4 = 75 OHMS, 1/16 W, 5% RESISTORS.**
- LED COMPLIANT WITH IEC60825-1 SAFETY OF LASER PRODUCTS. WHEN OPERATED AT 20 mA.**
- INDICATED CONNECTIONS ARE FOR NIC CONFIRMATION. THE MAGNETICS ARE SYMMETRICAL TO SUPPORT AUTO-MDI/MDIX.**
- LED PEAK WAVELENGTH: GREEN(λ) = 565nm
YELLOW(λ) = 585nm**
- THESE 250 OHM RESISTORS ARE INCLUDED IN THE LEDS ON 1-6605766-1 AND 5-6605766-1 ONLY.**
- TRADEMARK, PART NUMBER, DATE CODE, COUNTRY OF ORIGIN AND AGENCY APPROVAL MARK IN APPROXIMATE LOCATION SHOWN.**



Suggested Panel Cutout

726P7 SERIES MAGNETIC CIRCUIT



Suggested PCB Layout (COMPONENT SIDE)

YES	YELLOW	GREEN	5-6605766-9
YES	GREEN	GREEN	5-6605766-1
NO	GREEN	GREEN	1-6605766-1

THIS DRAWING IS A CONTROLLED DOCUMENT.

DIMENSIONS:	TOLERANCES UNLESS OTHERWISE SPECIFIED:	0 PLC ± .010	1 PLC ± .005	2 PLC ± .005	3 PLC ± .005	4 PLC ± .005	ANGLES ± .005
-------------	--	--------------	--------------	--------------	--------------	--------------	---------------

THIS DRAWING IS A CONTROLLED DOCUMENT.

APVD	D. FAROLE	DATE	02MAR2005
CHK	D. FAROLE	DATE	02MAR2005
DRN	L. VARELA - DOCKS	DATE	02MAR2005

Tyco Electronics Corporation
Harrisburg, PA 17105-3608

NAME: 1X1 MAG45(TM), 7N2P7 SCHEMATIC, 726 SERIES CIRCUIT, WITH OPTIONAL DECOUPLING CAPACITOR, WITH LEDS

PRODUCT SPEC: 108-2100

APPLICATION SPEC: -

SIZE: A1 CASE CODE: 00779 DRAWING NO: 6605766

RESTRICTED TO: -

WEIGHT: -

CUSTOMER DRAWING

SCALE: NTS SHEET: 1 OF 1 REV: A